

WIRING DIAGRAMS

Article Text

1986 Audi 5000CS Turbo

For *** **

Copyright © 1998 Mitchell Repair Information Company, LLC

Wednesday, July 21, 1999 10:55AM

ARTICLE BEGINNING

1986 Wiring Diagrams
Audi

5000CS Turbo & Quattro

COMPONENT LOCATION MENU

COMPONENT LOCATIONS TABLE

Component	Figure No. (Location)
A/C COMP CLUTCH (LATE)	2 (F 4-5)
A/C COMP CLUTCH (EARLY)	2 (E-F 6)
A/C HI PRES SW	1 (E 2)
A/C SYSTEM	6 (A-F 23-28)
A/C THERMOSTAT	2 (F 5)
A/T CONSOLE ILLUM LT	2 (F 9)
ABS SYSTEM	7 (A-F 28-33)
ALTERNATOR	1 (A 4)
AMBIENT TEMP SW	2 (F 6)
ASHTRAY LTS	4, 10 (F 14, A 43)
AUTO CHECK BUTTON	6 (F 23-24)
AUTO CHECK MAIN CTRL	5 (B-D 19)
BACK-UP LT SW	2 (F 8)
BATTERY	1 (A 1-2)
BRAKE WARN SWS	5 (A 20)
CENTRAL LOCK	10 (E-F 42-43)
CIG LTR LT	4 (F 15)
CIRC BRKR #23	8 (C 35)
CIRC BRKR #44	8 (B 36)
CLOCK	6 (F 24)
COLD START VALVE	2 (A 4-5)
COLNT TEMP WARN SW	1 (C 4)
COMBINATION SW	4 (D 14-17)
COMP CLUTCH CTRL UNIT (EARLY)	2 (E 5)
CRUISE CONTROL	4 (A-B 14-15)
DEFOGGER GRID	10 (D 45)
DEFOGGER RLY	6 (D-E 27-28)
DEFOGGER SW	4 (E 17-18)
DIFF LOCK IND UNIT	10 (E 44-45)
DISTRIBUTOR	2 (B 9)
DOOR SWS	10 (B-C 44-46)
ELECT THERMO SW	1 (C 1)
ENG COMPT LT	1 (D-E 3)
FOOTWELL LTS	10 (B-C 44)
FRONT CIG LTR	4 (F 14)
FRONT LT CTRL UNIT	1 (B 2)
FUEL GAUGE SENDER	10 (D 46-47)
FUNCTION SEL SW	5 (F 20)
FUSE/RLY PANEL	3 (A-F 10-12)
GEAR SEL SW	2 (E 8)
GLOVE COMPT LT	10 (A-B 43)
HAZ FLASHER RLY	4 (C 14-15)
HEATED SEATS	9 (E-F 37-42)
HORNS	1 (C-D 1)
HORN SW	3 (E 9)
IDLE STABILIZER	2 (C-D 9)
INJ COOL FAN RLY	1 (C 3)
IGN COIL	2 (C 9)
IGN SW	4 (A 17-18)
INST CLUSTER	5 (A-F 22-23)
INST LTS BOOSTER	6 (E 25-26)
INTERIOR LT DELAY CTRL	10 (B 44)
LEFT FNT DOOR SW	10 (B-C 46)
LEFT REAR WDO SW	9 (A 39)
LIGHT SW	4 (B-C 16-17)
LUGGAGE COMPT LT	10 (E 46-47)

WIRING DIAGRAMS

Article Text (p. 2)

1986 Audi 5000CS Turbo

For *** **

Copyright © 1998 Mitchell Repair Information Company, LLC
Wednesday, July 21, 1999 10:55AM

MEM PROGRAM SW	8 (E 34-36)
MEMORY SEATS	8 (A-F 33-37)
OX5 CONTROL UNIT	2 (A 5-7)
PARK BRAKE SW	1 (D 3)
POWER ANTENNA	10 (C-D 45)
POWER WDS	9 (A-C 38-40)
PWR WDO SUNROOF CTRL	9 (C-D 38)
RAD COLNT FAN AFTER-RUN RLY	1 (A-B 4)
RAD COLNT FAN RESISTORS	1 (D 2)
RAD COLNT FAN RLY (3RD STAGE)	1 (D 1)
RAD COLNT FAN THERMO SW	1 (E 2)
RADIO	4 (F 16)
READING LTS	10 (B-D 43)
REAR CIG LTR	10 (A 43-44)
REAR LT CTRL UNIT	10 (A 44-45)
REAR WIPERS	10 (D-E 43)
SEAT BELT WARN RLY	2 (E 7)
STARTER	1 (A 2-3)
STOP LT SW	3 (F 12)
SUNROOF	9 (C-D 38-40)
TURBO COOLANT PUMP	1 (B 3)
WARNING IND CLUSTER	5 (A-D 21)
WASHER FLUID LEVEL SW	1 (F 3)
WASHER PUMP	1 (F 3)
WIPER MOTOR	1 (F 4)

WIRING DIAGRAM

WIRING DIAGRAMS

Article Text (p. 3)

1986 Audi 5000CS Turbo

For *****

Copyright © 1998 Mitchell Repair Information Company, LLC
Wednesday, July 21, 1999 10:55AM

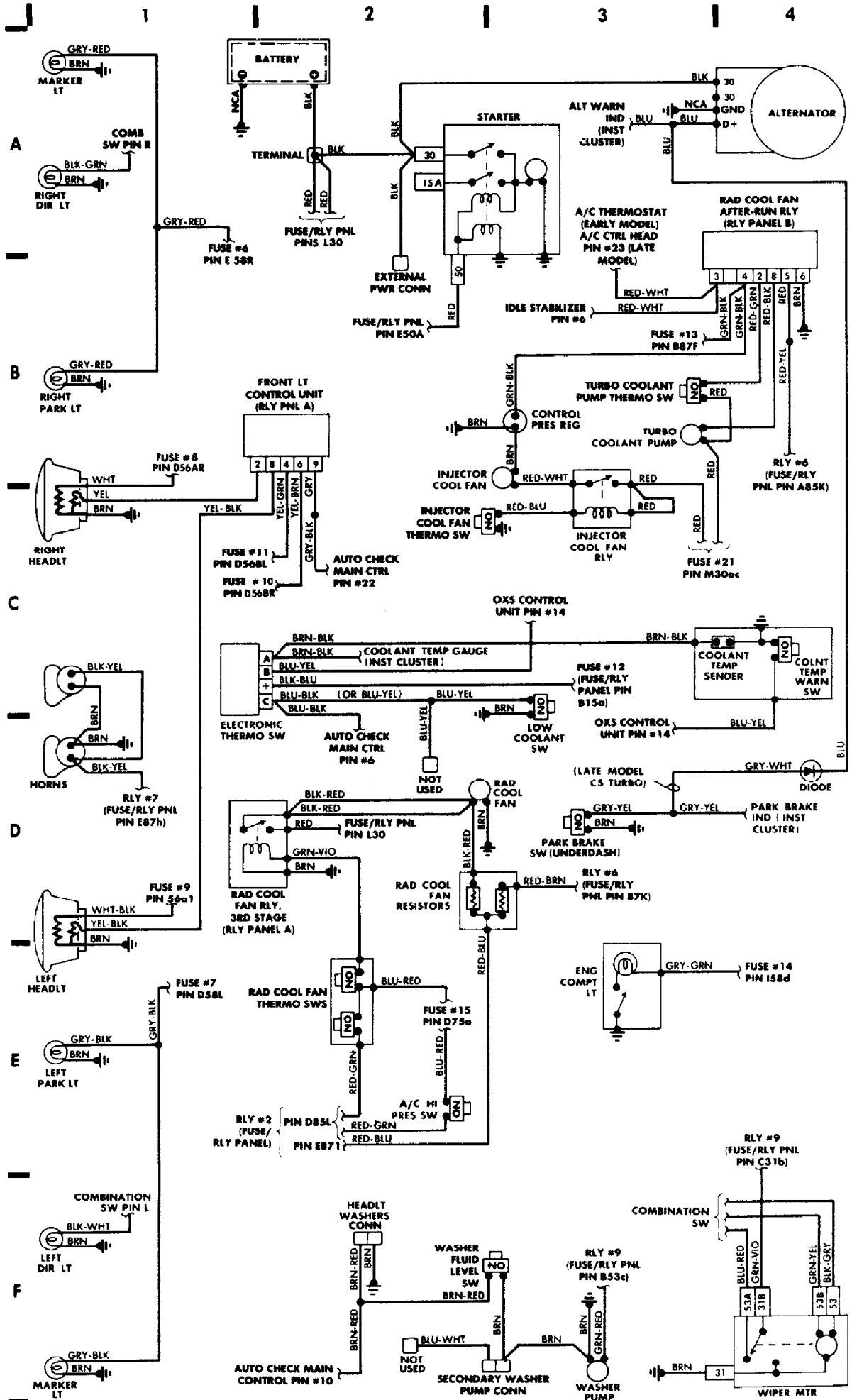


Fig. 1: Engine Compartment (Grids 1-4)

WIRING DIAGRAMS

Article Text (p. 4)

1986 Audi 5000CS Turbo

For *****

Copyright © 1998 Mitchell Repair Information Company, LLC
Wednesday, July 21, 1999 10:55AM

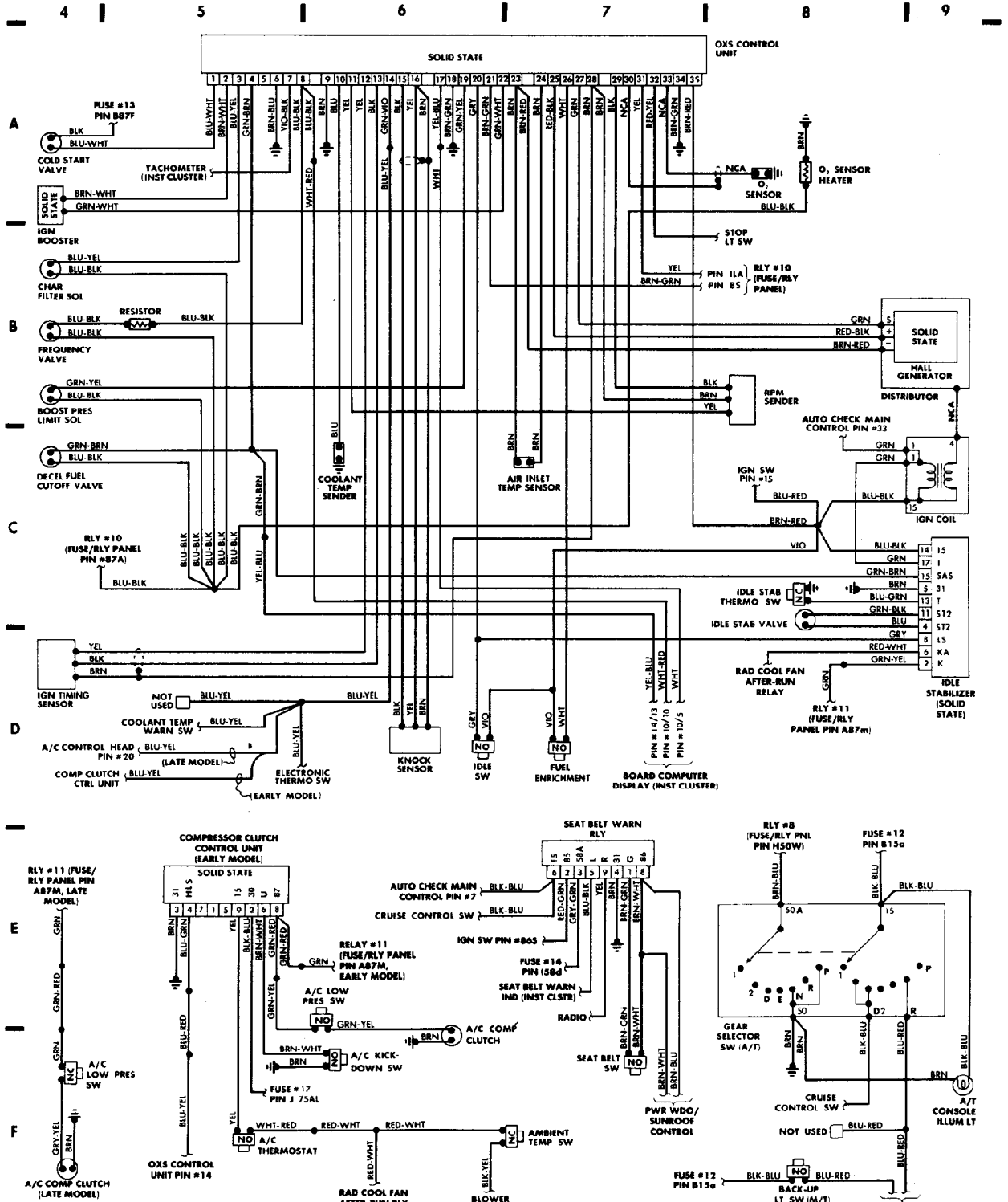


Fig. 2: Engine Compartment (Cont.) & Underdash (Grids 4-9)

WIRING DIAGRAMS

Article Text (p. 5)

1986 Audi 5000CS Turbo

For *****

Copyright © 1998 Mitchell Repair Information Company, LLC
Wednesday, July 21, 1999 10:55AM

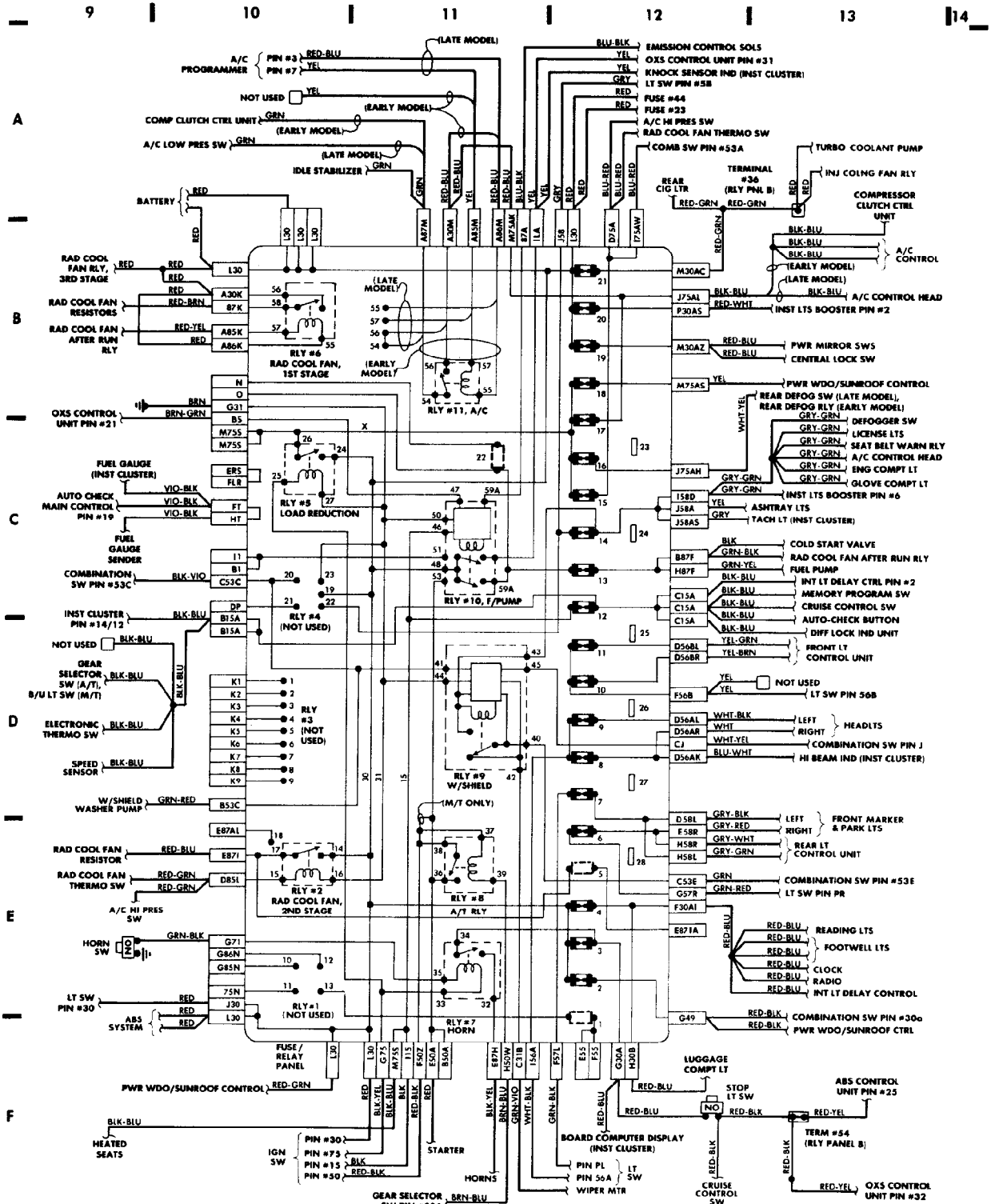


Fig. 3: Underdash (Cont.) & Fuse Block (Grids 9-14)

WIRING DIAGRAMS

Article Text (p. 6)

1986 Audi 5000CS Turbo

For *****

Copyright © 1998 Mitchell Repair Information Company, LLC

Wednesday, July 21, 1999 10:55AM

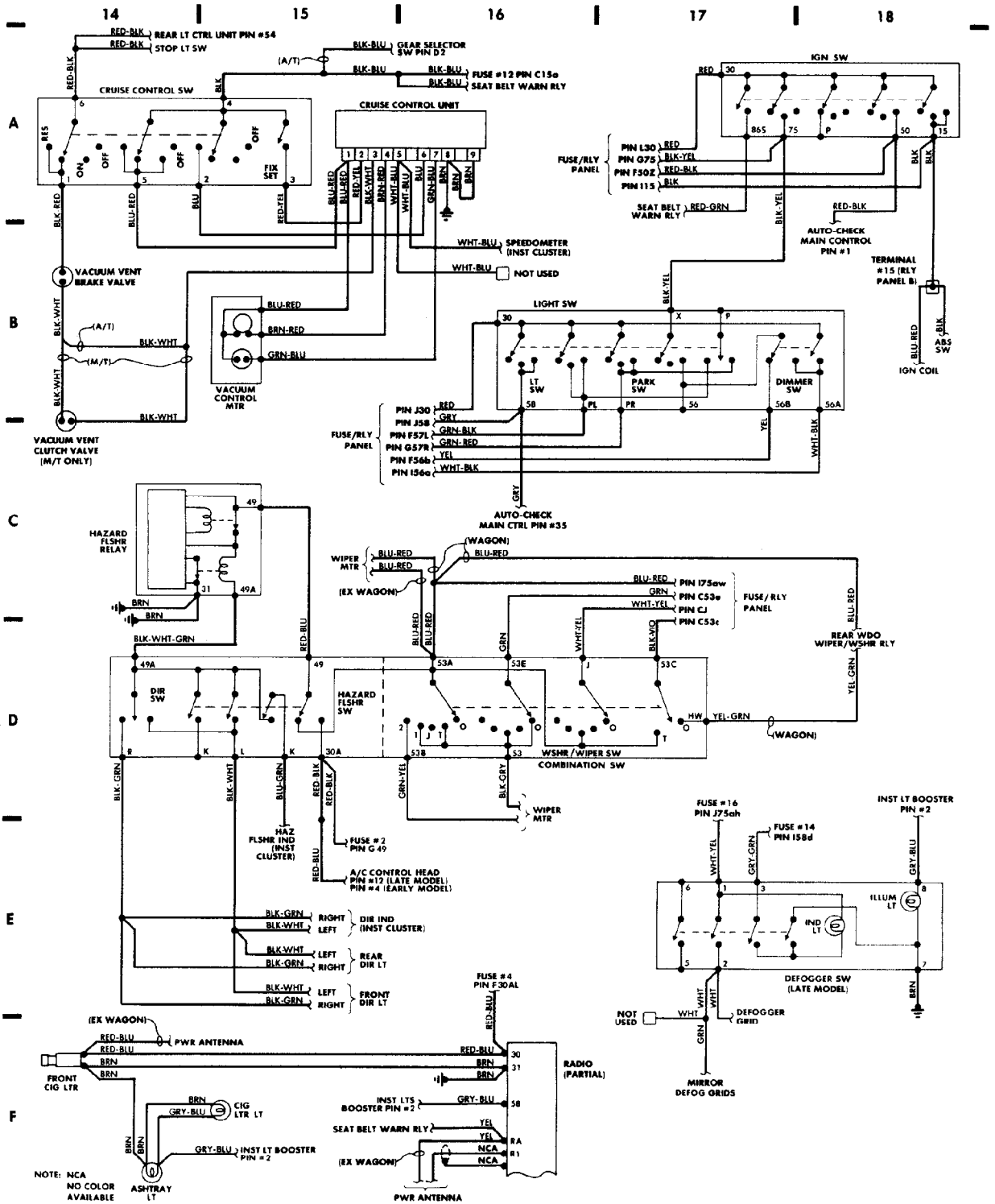


Fig. 4: Instrument Panel (Grids 14-18)

WIRING DIAGRAMS

Article Text (p. 7)

1986 Audi 5000CS Turbo

For *** ** * ** * ** *

Copyright © 1998 Mitchell Repair Information Company, LLC
Wednesday, July 21, 1999 10:55AM

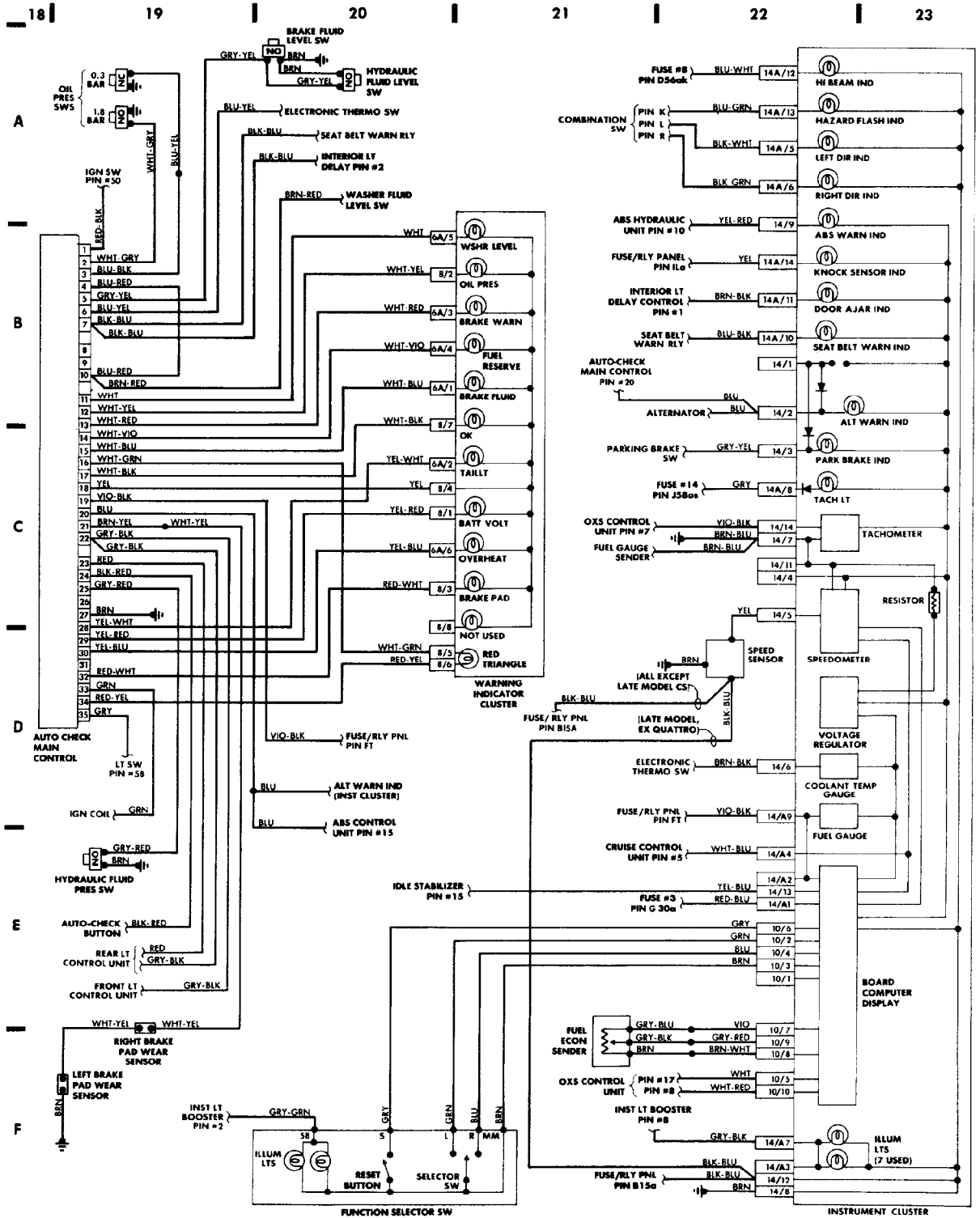


Fig. 5: Instrument Panel (Cont.) (Grids 18-23)

WIRING DIAGRAMS

Article Text (p. 8)

1986 Audi 5000CS Turbo

For *** ** * ** * ** * ** *

Copyright © 1998 Mitchell Repair Information Company, LLC
 Wednesday, July 21, 1999 10:55AM

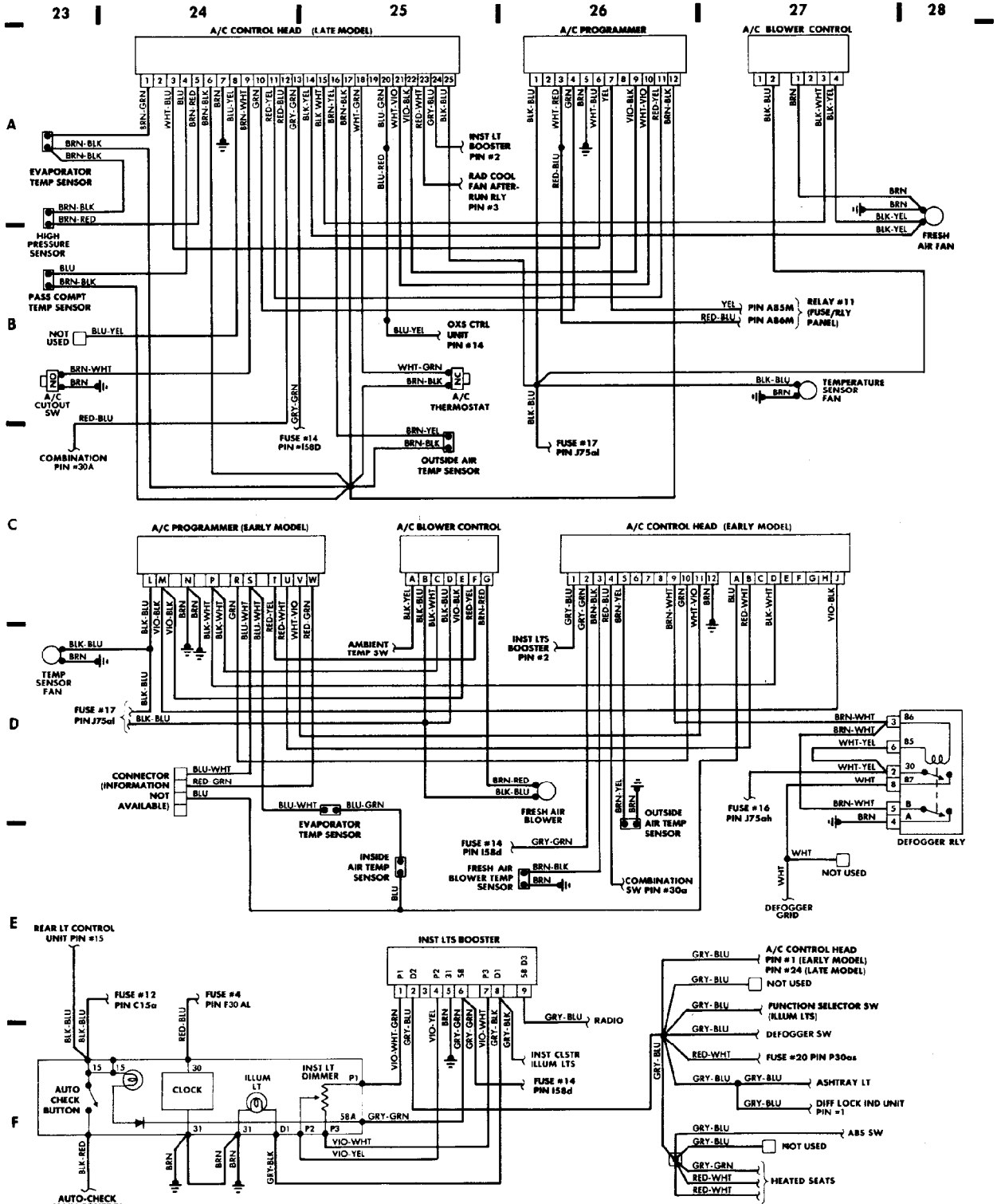


Fig. 6: Instrument Panel (Cont.) (Grids 23-28)

WIRING DIAGRAMS

Article Text (p. 9)

1986 Audi 5000CS Turbo

For *** ** * ** * ** *

Copyright © 1998 Mitchell Repair Information Company, LLC
Wednesday, July 21, 1999 10:55AM

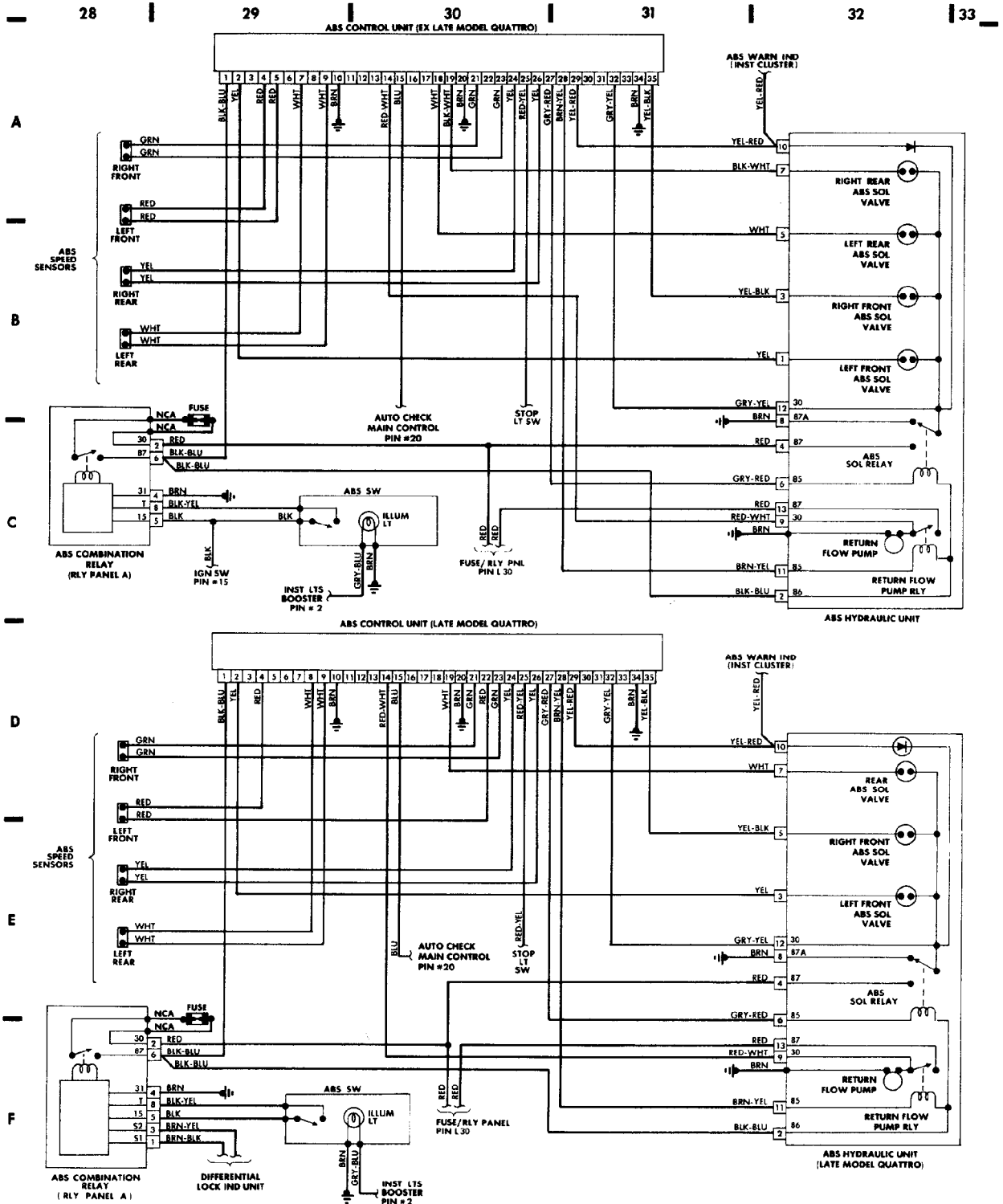


Fig. 7: Rear Compartment & Accessories (Grids 28-33)

WIRING DIAGRAMS

Article Text (p. 10)

1986 Audi 5000CS Turbo

For *** ** * ** * ** *

Copyright © 1998 Mitchell Repair Information Company, LLC

Wednesday, July 21, 1999 10:55AM

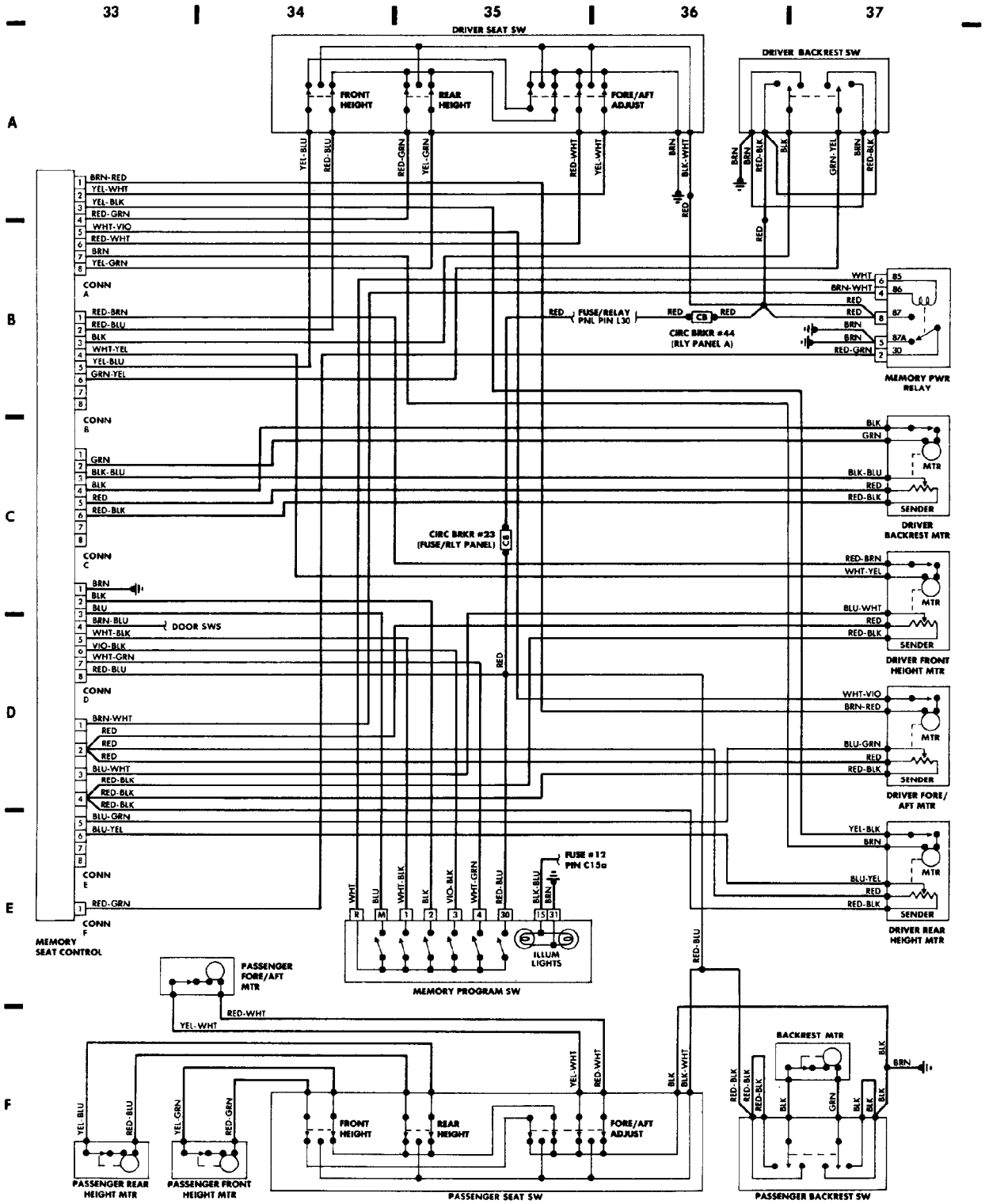


Fig. 8: Rear Compartment & Accessories (Cont.) (Grids 33-37)

WIRING DIAGRAMS

Article Text (p. 11)

1986 Audi 5000CS Turbo

For *****

Copyright © 1998 Mitchell Repair Information Company, LLC

Wednesday, July 21, 1999 10:55AM

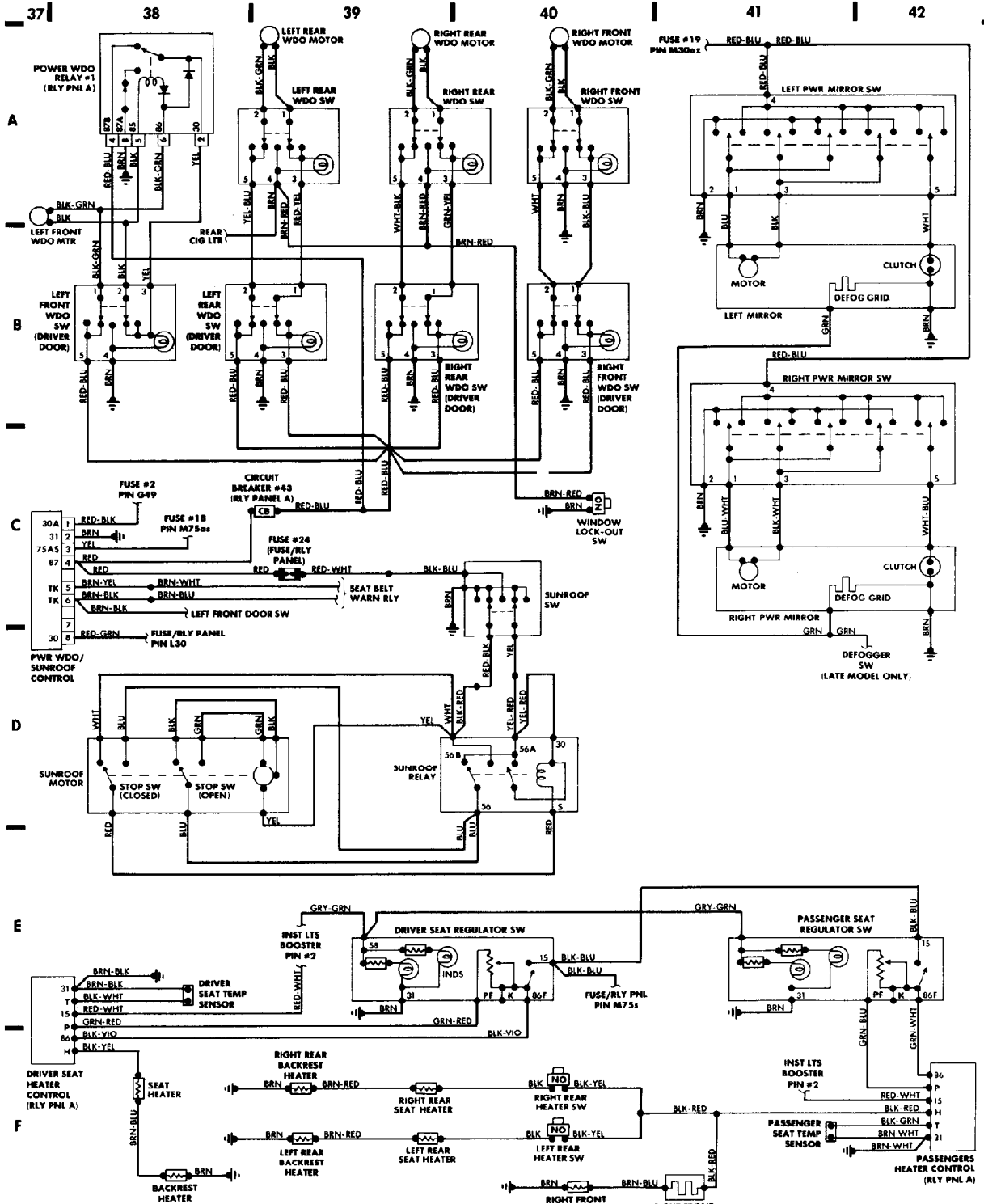


Fig. 9: Rear Compartment & Accessories (Cont.) (Grids 37-42)

WIRING DIAGRAMS

Article Text (p. 12)

1986 Audi 5000CS Turbo

For *****

Copyright © 1998 Mitchell Repair Information Company, LLC
 Wednesday, July 21, 1999 10:55AM

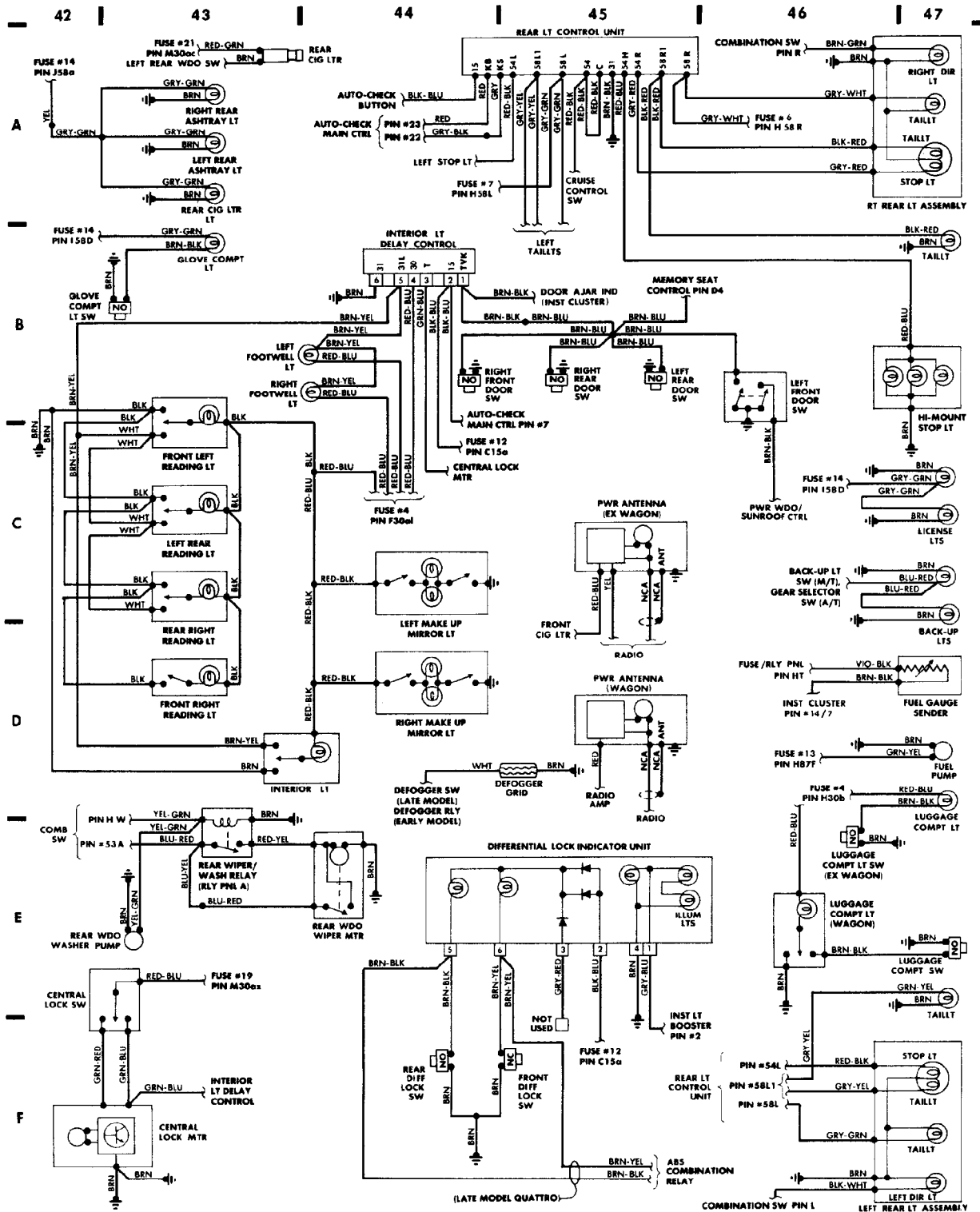


Fig. 10: Rear Compartment & Accessories (Cont.) (Grids 42-47)

END OF ARTICLE